

Newton SIGNAGE

Smart Signage User Manual

WC32FAFSA

| WC43UAFSA

| WC55UAFSA

| WC65UAFSA

CONTENTS

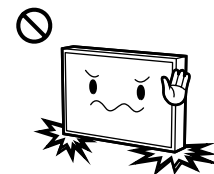
01	PREPARATIONS	05	Checking the Components
		06	Parts
		07	Ports
		08	Before Installing the Product
		10	Installing the Wall Mount
		11	Wall Mount Kit Specifications (VESA)

02 SPECIFICATIONS

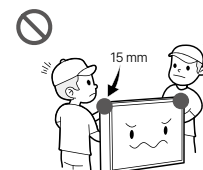
03 APPENDIX

Precautions When Handling the Panel

The colour and the appearance may differ depending on the model.

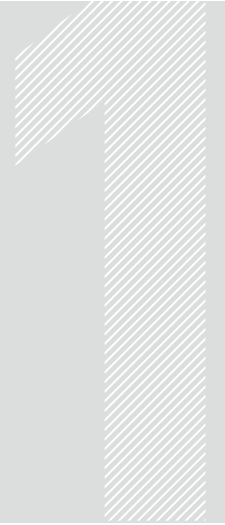


Do not stand the product as shown in the image.
The panel is fragile and can get damaged.



Do not hold or grasp any area of the product within 15 mm
from the front.

PREPARATIONS



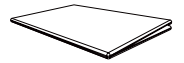
Checking the Components

Contact the vendor where you purchased the product if any components are missing.

The appearance of the components may differ from the images shown.

A stand is not provided with the product. To install a stand, you can purchase one separately.

Quick setup guide



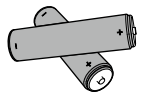
Warranty guide
(Not available in some locations)



Power cord



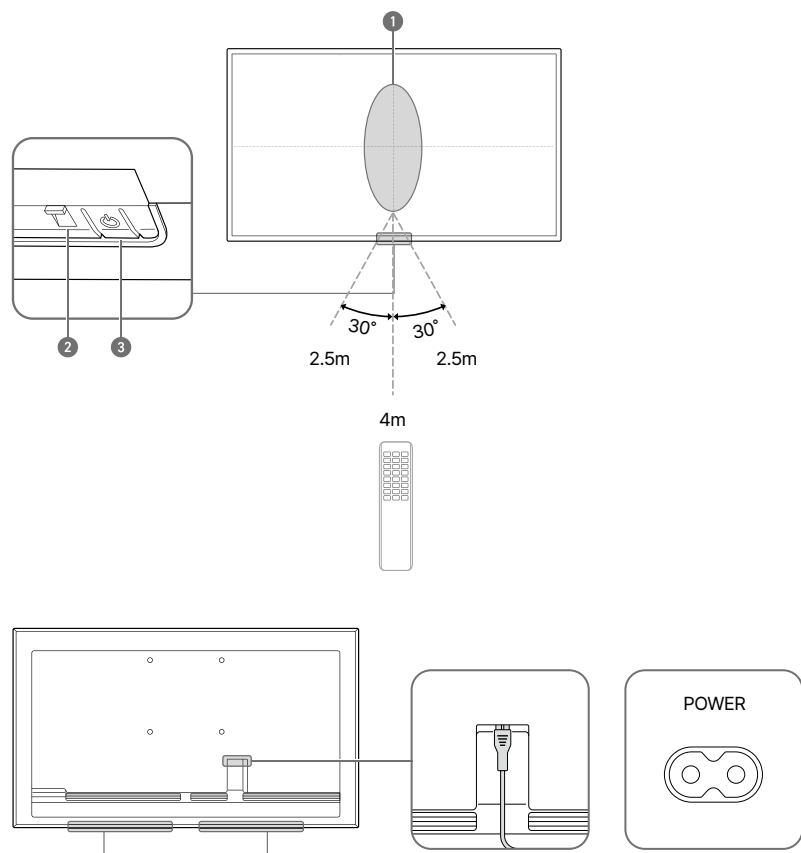
Batteries (AAA x 2)
(Not available in some locations)



Remote control



Parts

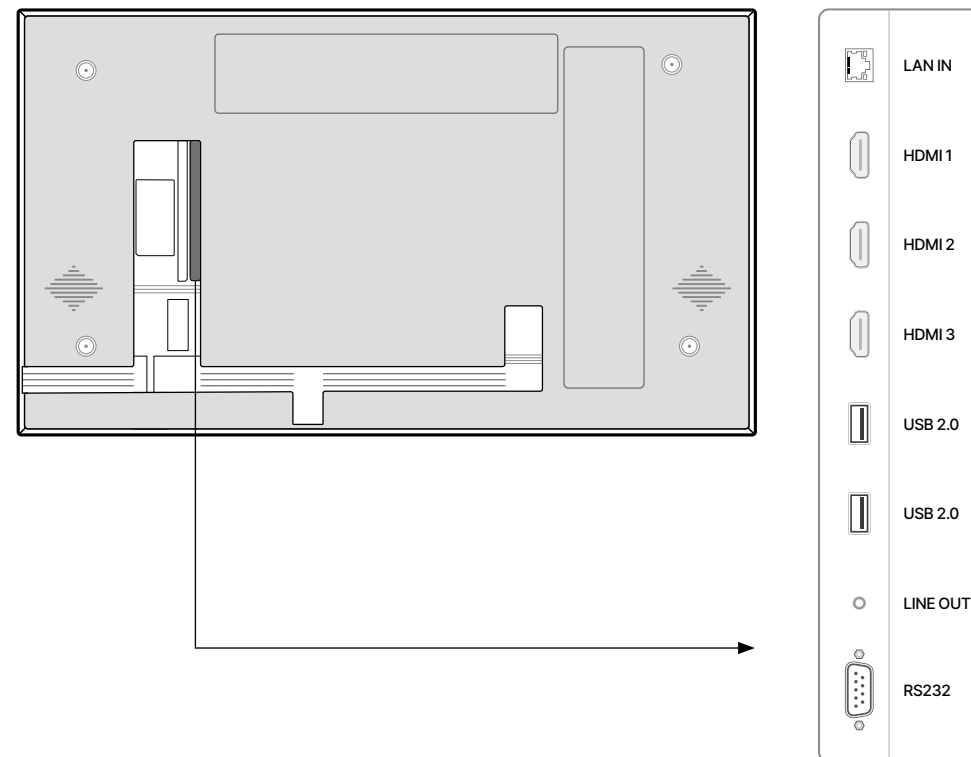


The colour and shape of parts may differ from what is shown.
Specifications are subject to change without notice to improve quality.

- 1 Remote sensor**
Press a button on the remote control pointing at the sensor on the product to perform the corresponding function.
*Using other display devices in the same space as the remote control of this product can cause the other display devices to be inadvertently controlled.
- 2 Power indicator & Remote sensor**
- 3 Power button**
Turns the product on or off.

Use the remote control within 2.5 m to 4 m from the sensor on the product at an angle of 30° from the left and right.

Ports



Port	Description
LAN IN	Connects to MDC and the Internet using a LAN cable. (10/100 Mbps) Use Cat7(*STP Type) cable for the connection. *Shielded Twist Pair.
HDMI1 / HDMI2 / HDMI3	Connects to a source device using a HDMI cable or HDMI-DVI cable.
USB 2(0.5A)x2	Connect to a USB memory device. The USB ports on the product accept a maximum constant current of 0.5A. If the maximum value is exceeded, USB ports may not work.
LINE OUT	Outputs sound to an audio device via an audio cable.
RS232C	Connects to RS232C adapter.

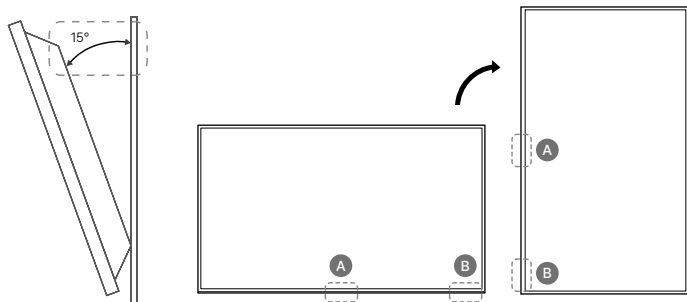
Before Installing the Product (Installation Guide)

To prevent injury, this apparatus must be securely attached to the floor/wall in accordance with the installation instructions.

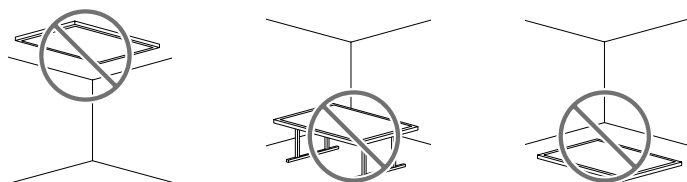
- Ensure that an authorised installation company installs the wall mount.
- Otherwise, it may fall and cause personal injury.
- Make sure to install the specified wall mount.

Contact SOLUM for further details.

- The product can be tilted at a maximum angle of 15° from a perpendicular wall surface.
- To use the product in Portrait mode, rotate clockwise until the power indicator (A or B) is positioned as shown in the images below.



Do not use this model installed on a ceiling, floor, or table.



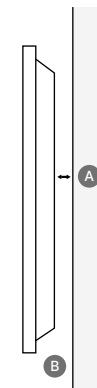
Ventilation

Contact SOLUM for further details.

Installation on a Perpendicular Wall

- Ⓐ Minimum 40 mm
- Ⓑ Ambient temperature: Under 35 °C

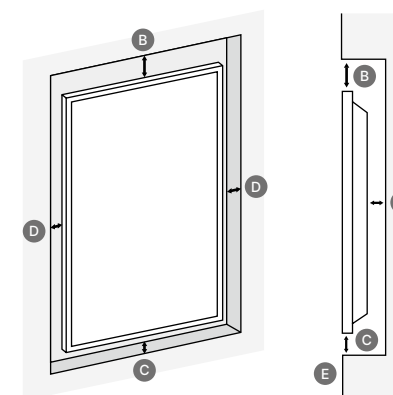
When installing the product on a perpendicular wall, allow at least 40 mm of space between the product and wall surface for ventilation and ensure that the ambient temperature is kept below 35 °C.



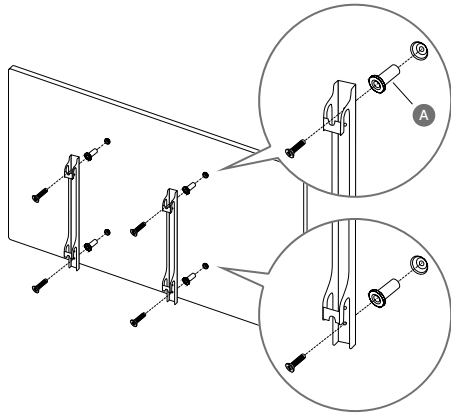
Installation on an Indented Wall

- Ⓐ Minimum 40 mm
- Ⓑ Minimum 70 mm
- Ⓒ Minimum 50 mm
- Ⓓ Minimum 50 mm
- Ⓔ Ambient temperature: Under 35 °C

When installing the product on an indented wall, allow at least the space specified above between the product and wall for ventilation and ensure that the ambient temperature is kept below 35 °C.



Installing the Wall Mount



Preparing before installing Wall-Mount

To install a wall-mount from another manufacturer, use the Holder-Ring.

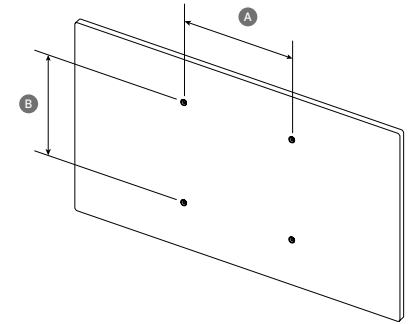
- Ⓐ These items are included in the wall mount package, and may not be supplied depending on the wall mount type.

Installing the Wall Mount

- The wall mount kit (sold separately) allows you to mount the product on the wall.
- The provided image is only for reference. For detailed information on installing the wall mount, see instructions provided with the wall mount.
- We recommend you contact a technician for assistance when installing the wall mount bracket.
- SOLUM is not responsible for any damage to the product or injury to yourself or others if you select to install the wall mount on your own.

Wall Mount Kit Specifications (VESA)

Install your wall mount on a solid wall perpendicular to the floor. To install the product on the other wall area, contact the nearest agency. If you install the product on a slanted wall, it may fall and result in severe personal injury.



- SOLUM wall mount kits contain a detailed installation manual and all parts necessary for assembly are provided.
- Do not use screws that are longer than the standard length or do not comply with the VESA standard screw specifications. Screws that are too long may cause damage to the inside of the product.
- For wall mounts that do not comply with the VESA standard screw specifications, the length of the screws may differ depending on the wall mount specifications.
- Do not fasten the screws too firmly. This may damage the product or cause the product to fall, leading to personal injury. SOLUM is not liable for these kinds of accidents.
- SOLUM is not liable for product damage or personal injury when a non-VESA or non-specified wall mount is used or the consumer fails to follow the product installation instructions.
- Do not mount the product at more than a 15 degree tilt.
- Always have at least two people mount the product on a wall. (Four or more people for the 82-inch size and larger models.)
- Standard dimensions for wall mount kits are shown in the table below.

Model Name	VESA screw hole specs (A * B) in millimetres	Standard Screw	Quantity
WC32FAFSA	150 x 200		
WC43UAFSA	400 x 300		
WC55UAFSA	300 x 400	M8	4
WC65UAFSA	400 x 400		

Do not install your Wall Mount Kit while your product is turned on. It may result in personal injury due to electric shock.

SPECIFICATIONS



Model name	WC3FUAFSA	WC43UAFSA	WC55UAFSA	WC65UAFSA	
Panel	Size	32"	43"	55"	65"
	Display area	698.4 (H) x 392.85 mm (V)	941.184 (H) x 529.416 (V) mm	1,219.6 (H) x 691.9 (V) mm	1,438.48 (H) x 815.02 (V) mm
Resolution	Optimum resolution	1,920 × 1,080 @60 Hz (HDMI)	3,840 × 2,160 @ 60 Hz (HDMI)	3,840 × 2,160 @ 60 Hz (HDMI)	3,840 × 2,160 @ 60 Hz (HDMI)
	Maximum resolution				
Power supply	AC100-240 V ~ 50/60 Hz	Refer to the label at the back of the product as the standard voltage can vary in different countries.			
Environmental considerations	Operating	Temperature: 0 °C – 40 °C (32 °F – 104 °F) * For installing the enclosure, keep the internal temperature at 40 °C or below. Humidity: 10% – 80%, non-condensing			
	Storage	Temperature: -20 °C – 45 °C (-4 °F – 113 °F) Humidity: 5% – 95%, non-condensing * Applicable before the product package is unpacked.			

APPENDIX

Licence



Manufactured under license from Dolby Laboratories. Dolby, Dolby Audio, Pro Logic, and the double-D symbol are trademarks of Dolby Laboratories.



The terms HDMI and HDMI High-Definition Multimedia Interface, and the HDMI Logo are trademarks or registered trademarks of HDMI Licensing LLC in the United States and other countries.

Open Source Licence Notice

In the case of using open source software, Open Source Licences are available on the product menu. Open Source Licence Notice is written only English. For information on the Open Source Licence Notice, contact the SOLUM. www.solum-group.com



THIS PRODUCT IS SOLD WITH A LIMITED LICENCE AND IS AUTHORISED TO BE USED ONLY IN CONNECTION WITH HEVC CONTENT THAT MEETS EACH OF THE THREE FOLLOWING QUALIFICATIONS: (1) HEVC CONTENT ONLY FOR PERSONAL USE; (2) HEVC CONTENT THAT IS NOT OFFERED FOR SALE; AND (3) HEVC CONTENT THAT IS CREATED BY THE OWNER OF THE PRODUCT. THIS PRODUCT MAY NOT BE USED IN CONNECTION WITH HEVC ENCODED CONTENT CREATED BY A THIRD PARTY, WHICH THE USER HAS ORDERED OR PURCHASED FROM A THIRD PARTY, UNLESS THE USER IS SEPARATELY GRANTED RIGHTS TO USE THE PRODUCT WITH SUCH CONTENT BY A LICENSED SELLER OF THE CONTENT. YOUR USE OF THIS PRODUCT IN CONNECTION WITH HEVC ENCODED CONTENT IS DEEMED ACCEPTANCE OF THE LIMITED AUTHORITY TO USE AS NOTED ABOVE.

SOLUM

EUROPE : support-signage@eu.SOLUM-group.com / +49 6196 780 74 82

USA : dssupport@solu-m.com / +1-877-345-2830

JAPAN : sjc_info@solu-m.com / +81-(0)3-6273-3538

CENTRAL AND SOUTH AMERICA

MEXICO : sokmin.lee@solu-m.com / +52-5572110502

BRAZIL : paulomoratore@solu-m.com / + 55 11972451001